

## Instruction Manual for CompoBus/S UNIT

©OMRON Corporation 2008

All Rights Reserved

7490055-5B

## Precautions for Compliance with UL Standards and CSA Standards

Notice to Users of the CompoBus/S UNIT in the USA and Canada

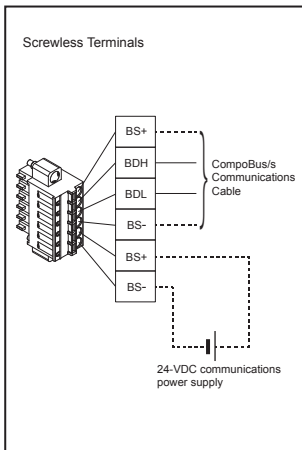
Please use the following installation information instead of the general information in the instruction manuals in order to use the product under certified conditions of UL and CSA when the product is installed in the USA or Canada. These conditions are required by NFPA 70, National Electrical Code in the USA and the Canadian Electrical Code, Part I in Canada and may vary from information given in the product manuals or safety precautions.

- Environment

Surrounding Air Temperature: 55°C

- Communications Connector Pin Arrangement

Don't use other terminal block than that shipped with the CompoBus Unit.



- Wire size of the Screwless Terminals

Wire size: from AWG 16 to AWG 28

- Compliance with Class I Division 2 Hazardous Location

Input and output wiring must be in accordance with Class I, Div. 2 wiring methods and in accordance with the authority having jurisdiction.

1. This equipment is suitable for use in Class I, Div.2, Group A, B, C, D or Non-Hazardous Locations Only.
2. **WARNING** : Explosion Hazard - Substitution of Components may Impair Suitability for Class I, Div.2.
3. **WARNING** : Explosion Hazard - Do not Disconnect Equipment Unless Power Has Been Switched off or the Area Is Known to Be Non-Hazardous.
4. This device is open-type and is required to be installed in an enclosure suitable for the environment and can only be accessed with the use of a tool or key.

1. Cet équipement convient à l'utilisation dans des emplacements de Classe I, Division 2, Groupes A, B, C, D, ou ne convient qu'à l'utilisation dans des endroits non dangereux.
2. **AVERTISSEMENT** : Risque d'explosion - La substitution de composants peut rendre ce matériel inacceptable pour les emplacements de Classe I, Division 2.
3. **AVERTISSEMENT** : Risque d'explosion - Avant de débrancher l'équipement, couper le courant ou s'assurer que l'emplacement est désigné non dangereux.
4. Ce dispositif est de type ouvert et doit être installé dans un coffret adapté à l'environnement et auquel on ne pourra accéder uniquement au moyen d'un outil ou d'une clef.