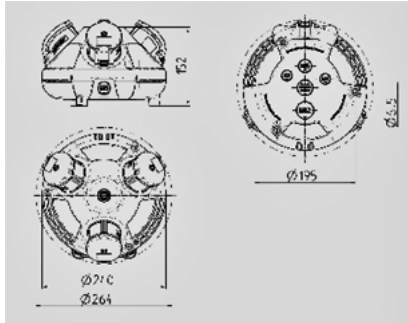


**3KRAFT® - Part no. 94357SI**

- pre-wired for installation
- back box in black
- hinged cover available in red (RO), yellow (GE) or silver (SI)
- enclosure and insert made of AMAPLAST

## Technical information

Fitted with	3 SCHUKO® 16A, 230V
Connection/feeder cable	3 m H07RN-F3G1.5 with plug SCHUKO® 16A, 230V
Protection type	IP 44

Drawing  
1 MB 442

Dim. in mm