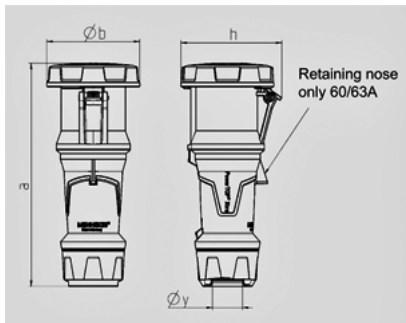


Connector PowerTOP® Xtra - Part no. 14220


- screw terminals
- with rubberised grip area
- frame terminals
- TorsionSpringCONTACT
- cable gland and sealing
- strain relief and protection against kinking
- enclosure with thread lock
- two safety slides
- products with pilot contact on request

Technical information

Ampere	125 A
Poles	4 p
Voltage	500V
Earth position	7 h
Hertz	50-60 Hz
Connection technology	Screw terminals, TorsionSpringCONTACT
Contact	highly heat resistant contact carrier
Protection type	IP 67



Drawing 3 MB 68	Amp. Poles	63			125		
		3	4	5	3	4	5
Dim. in mm	a	270	270	270	310	310	310
	b	113	113	113	125	125	125
	h	123	123	123	135	135	135
	y	36	36	36	49	49	49
	Terminal for cond. cross	6	6	6	25	25	25
	section (mm²) min.-max.	-16	-16	-16	-50	-50	-50